

SERIES 670

DIAL INDICATOR STAND

- ◆ Vertical travel of holder: 100mm
- ◆ Fine adjustment range: 2mm

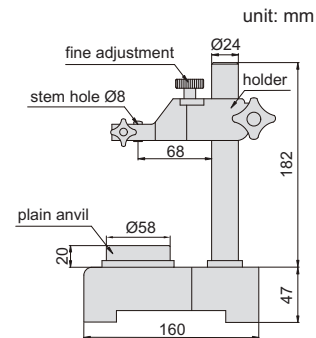
Application



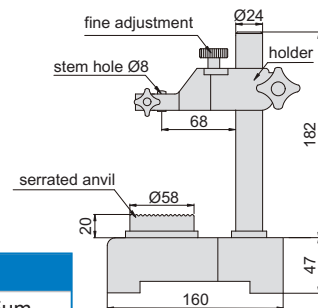
670-100-11



670-100-12



670-100-11



670-100-12

Code	Applicable holding stem	Anvil
670-100-11	Ø8mm	steel (hardness HRC60+2), plain, flatness 1.5µm
670-100-12	Ø8mm	steel (hardness HRC60+2), serrated, flatness 1.5µm