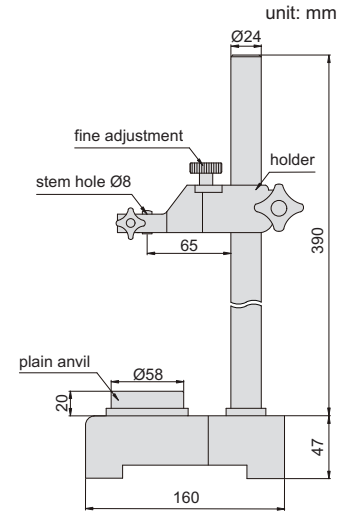


- ◆ Vertical travel of holder: 335mm
- ◆ Fine adjustment range: 2mm

Application



Rigid construction, designed to make comparison height measurement (set zero with gage block then measure height of workpiece) with dial indicators or digital indicators (variation of measuring force is high)



| Code | Applicable holding stem | Anvil |
|------------|-------------------------|---|
| 671-300-11 | Ø8mm | steel (hardness HRC60+2), plain, flatness 1.5µm |