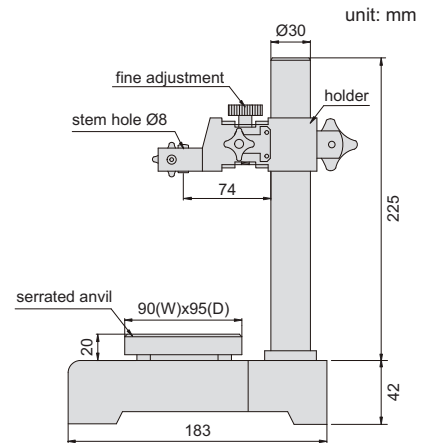


672**DIAL INDICATOR STAND**

- ◆ Vertical travel of holder: 150mm
- ◆ Fine adjustment range: 2mm

Application



Code	Applicable holding stem	Anvil
672-150-12	Ø8mm	steel (hardness HRC60+2), serrated, flatness 1.5um

ACCUD