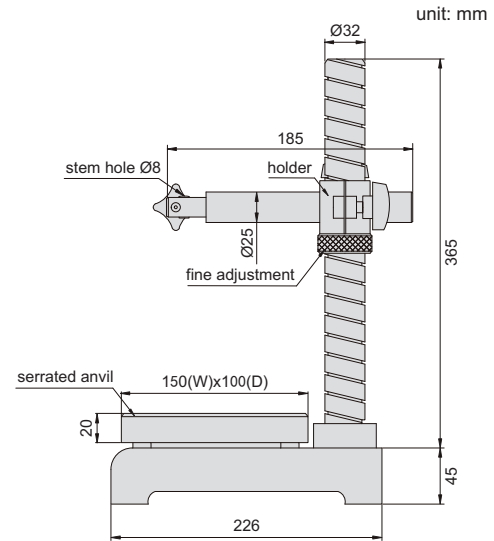
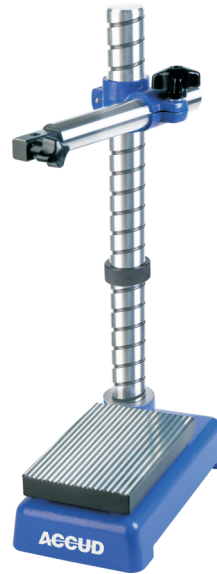


- ◆ Vertical travel of holder: 300mm
- ◆ Fine adjustment range: 2mm

Application



Code	Applicable holding stem	Anvil
673-300-12	Ø8mm	steel (hardness HRC60+2), serrated, flatness 1.5µm